

Specifications

# SMART Board® MX265-V2 interactive display with iQ

Model SBID-MX265-V2

## Overview

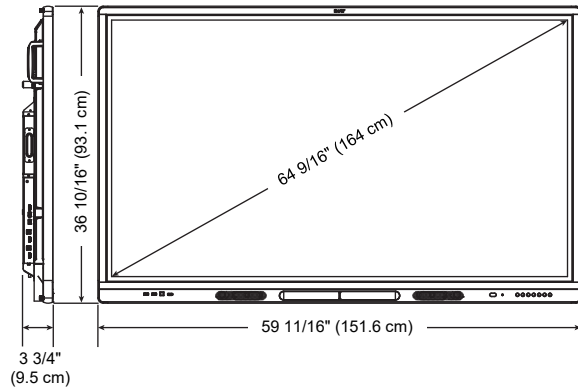
The SMART Board® MX265-V2 interactive display has all the essentials educators need for bringing the devices students love into any learning environment. This display is great value for schools that need an interactive display on a budget. The 65" 4K Ultra HD resolution display includes a one-year subscription to SMART Learning Suite and a standard three-year warranty.

The iQ experience offers one-touch access to SMART Learning Suite applications, including SMART Notebook® lessons and activities. You can also access collaboration tools, including a digital whiteboard, a web browser, and wireless screen sharing.



## Dimensions and weights<sup>1</sup>

### Dimensions



### Weight

102 lb. (46.1 kg)

#### Active touch area

57 3/8" × 32 3/4" (145.7 cm × 83.3 cm)

#### Active image area

56 1/4" × 31 5/8" (142.9 cm × 80.4 cm)

#### Shipping dimensions (including pallet)

66 3/8" W × 45 3/4" H × 10 1/4" D  
(168.5 cm × 116.2 cm × 26 cm)

#### Shipping weight

137 lb. (62 kg)



As an ENERGY STAR® certified signage display, the SMART Board MX065-V2 interactive display meets strict energy efficiency guidelines set by the U.S. Environmental Protection Agency and Department of Energy.

<sup>1</sup>All dimensions ± 1/8" (0.3 cm). All weights ± 2 lb. (0.9 kg).

## Hardware

### Interaction

Touch technology	HyPr Touch™ with Advanced IR
Multitouch capabilities	Up to 20 simultaneous touch, writing, or erase points <sup>2 3</sup>
Object Awareness™	Behavior adjusts automatically to the tool or object you're using, whether it's a pen, finger or palm.
Positioning accuracy	<2 mm

### Display

Type	LED backlit LCD (A grade)
Aspect ratio	16:9
Resolution	4K UHD (3840 × 2160)
Horizontal frequency	31 Hz–140 kHz
Vertical frequency	59 Hz–70 Hz
Brightness (maximum)	≥400 cd/m <sup>2</sup>
Refresh frequency	60 Hz
Pixel clock (maximum)	590 MHz
Pixel dimensions	0.37 mm
Viewing angle	178°
Response time (typical)	6 ms

**Ambient light sensor** Yes

**Audio** 15 W integrated speakers (×2)

**Wireless** IEEE 802.11a/b/g/n/ac with 2 × 2 MIMO (both 2.4 and 5 GHz bands)

**Included cables and accessories**  
 Country-specific power cable  
 16' 5" (5 m) USB cable  
 Wall mount bracket kit  
 Pen (×2)  
 Antenna (×2)  
 IR remote control (with two AAA batteries)

**Mounting holes** For a standard VESA® 600 mm × 400 mm mounting plate with M8 screws

**Mounting bracket depth** Minimum clearance depth of 1 1/4" (3 cm) for all components on the back of the interactive display for airflow

<sup>2</sup>Requires the latest version of SMART Product Drivers to be installed. Some applications might not support all touch points.

<sup>3</sup>Chrome OS is limited to 10 simultaneous touches. Pens and eraser are not supported.

## iQ experience

**iQ experience** iQ experience embedded in the display provides better performance without the need to install a separate appliance

### Included apps and features

---

Customizable Home screen  
 Whiteboard  
 SMART Notebook Player  
 Browser  
 Screen Share  
 File and app libraries  
 Writing and drawing over any input  
 Freeze screen and screen shade  
 Automatic software updates

---

### Supported languages

---

Danish  
 Dutch  
 English  
 Finnish  
 French  
 German  
 Italian  
 Korean  
 Norwegian  
 Portuguese  
 Russian  
 Simplified Chinese  
 Spanish  
 Swedish  
 Traditional Chinese  
 Ukrainian  
 Vietnamese

## Software

**Included software** iQ Android-based embedded computing  
 One-year subscription to SMART Learning Suite (including SMART Notebook software)  
 SMART Notebook basic version  
 Subscription to SMART Remote Management for length of SMART Assure warranty term  
 SMART Ink and SMART Product Drivers

## Connectors

<b>Side connector panel</b>	1	Accessory slot (for 60W OPS devices)
	1	HDMI® 2.0 out with HDCP 2.2 support <sup>4</sup>
	1	USB 2.0 Type-A (for service use only)
	1	USB 3.0 Type-A (for currently selected input source)
	<b>HDMI 1</b>	
	1	HDMI in with HDCP 2.2 support
	1	USB 3.0 Type-B (for touch)
	<b>HDMI 2</b>	
	1	HDMI in with HDCP 2.2 support
	1	USB 3.0 Type-B (for touch)
<b>Front connector panel</b>	1	USB 2.0 Type-A (for the display)
	1	USB 2.0 Type-A (for currently selected input source)
	<b>HDMI 3</b>	
	1	HDMI in with HDCP 2.2 support
	1	USB 2.0 Type-B (for touch)
<b>Bottom connector panel</b>	1	RS-232
	2	RJ45
	1	S/PDIF out (fixed)
	1	Stereo 3.5 mm out (variable)
	<b>VGA 1</b>	
	1	Stereo 3.5 mm in (for VGA in)
	1	VGA in
	1	USB 3.0 Type-B (for touch)

## Installation requirements

<b>Interactive display</b>	See the <i>SMART Board MX (V2) and MX (V2) Pro series interactive displays installation and maintenance guide</i> ( <a href="http://smarttech.com/kb/171555">smarttech.com/kb/171555</a> )
----------------------------	--

### **!** IMPORTANT

The display needs an internet connection for downloading and installing important updates. Ask the network administrator to confirm that the network has been correctly configured for the iQ experience. For more information about network configuration, see [Connecting a SMART display with the iQ experience to a network](#).

## Room computers and guest laptops

General requirements	See <a href="#">SMART Notebook software release notes</a>
4K UHD	Video card that can support 3840 × 2160 resolution at 60 Hz See <a href="#">Minimum requirements for Ultra High Definition or 4K on your interactive flat panel</a>

<sup>4</sup>HDCP is always enabled. Content is shown in 480p resolution if the external display doesn't support HDCP.

## Cable requirements

<b>HDMI</b>	Maximum length: 23' (7 m)
	<p><b>NOTES</b></p> <ul style="list-style-type: none"> <li>• Use only certified HDMI cables that have been tested to support the performance standard you require.</li> <li>• The performance of cables longer than 23' (7 m) is highly dependent on the cable's quality.</li> </ul>
<b>USB 2.0</b>	USB 2.0 certified Hi-Speed (480 Mbps) support Maximum length: 16' (5 m)
<b>USB 3.0</b>	USB 3.0 certified SuperSpeed (5 Gbps) support Maximum length: 9' (3 m)
	<p><b>NOTES</b></p> <ul style="list-style-type: none"> <li>• SMART supports only installations that use directly connected video and USB cables, AC-powered extenders, or USB extenders purchased from SMART.</li> <li>• You might be able to use higher-grade cables that are longer than specified. If you have problems with such a cable or an extender of any type, test the connection with a shorter cable before contacting SMART Support.</li> </ul>
<b>Important</b>	Using cables that exceed these maximum lengths can produce unexpected results, such as degraded picture quality or USB connectivity. Refer to <i>Installation best practices for SMART products</i> ( <a href="http://smarttech.com/kb/171035">smarttech.com/kb/171035</a> ) for comprehensive information about cables and extensions for SMART hardware products.

## Storage and operating requirements

<b>Power requirements</b>	100V to 240V AC, 50 Hz to 60 Hz
<b>Standalone interactive display power consumption at 77°F (25°C)</b>	
Standby mode	≤0.5 W
Normal operating (out-of-box)	109 W
<b>Operating temperature</b>	41–95°F (5–35°C)
<b>Storage temperature</b>	-4–140°F (-20–60°C)
<b>Humidity</b>	5–80% relative humidity, non-condensing

## Certification and compliance (Model ID: IDX65-2)

<b>U.S. / Canada</b>	FCC, ISED, UL, CONEG Packaging, Cal Prop 65, Conflict Minerals, Energy Star
----------------------	---

SPECIFICATIONS

**SMART BOARD MX265-V2 INTERACTIVE DISPLAY WITH IQ – MODEL SBID-MX265-V2**

<b>EU / EEA / EFTA</b>	CE - LVD, RED, REACH, RoHS, Battery, WEEE, Packaging
<b>EAEU</b>	EAC
<b>Australia / New Zealand</b>	RCM
<b>Taiwan</b>	BSMI, NCC
<b>Vietnam</b>	ICT
<b>South Africa</b>	NRCS, ICASA

Purchasing information

**Order number**

SBID-MX265-V2 SMART Board MX065-V2 interactive display with IQ and one-year subscription of SMART Learning Suite

**Optional accessories**

Other See [smarttech.com/accessories](http://smarttech.com/accessories)

Warranty information

**SMART Assure warranty** Includes advanced hardware replacement and access to onsite support. Terms and conditions vary by region. Contact your local reseller or distributor for information and visit [smarttech.com/warranty](http://smarttech.com/warranty).



**INTEGRATE AV**  
Level 4  
384 Eastern Valley Way  
Roseville, NSW 2069

**t. 1800 742 748**

[info@integrateav.com.au](mailto:info@integrateav.com.au)  
[www.integrateav.com.au](http://www.integrateav.com.au)