

# SMART Board® MX (V5) series with iQ



Display	
Screen sizes (diagonal)	55"   65"   75"   86"
Backlight	LED
Aspect ratio	16:9
Maximum display resolution	4K UHD (3840 × 2160)
Refresh rate	60 Hz
Lifespan	≥ 50,000 hours
Brightness <sup>1</sup>	55": 300 cd/m <sup>2</sup> 65", 75", 86": 400 cd/m <sup>2</sup>
Display response time	≤ 8 ms
Viewing angle	178°
Glass	55": Full heat-tempered   Anti-glare 65", 75", 86": Full heat-tempered   Anti-glare   Bonded
Frame color	White
Convenience buttons	Power   Home   Volume   Input select   Screen shade   Freeze frame
Sensors	Ambient light   Infrared
Audio	55": 2 integrated 15 W speakers 65", 75", 86": 2 integrated 20 W speakers Integrated linear six-microphone array with support for onboard acoustic echo cancellation

**NFC**

Integrated RFID NFC reader/writer CCID (chip card interface device) when used with a native operating system driver for Windows®, Linux®, or Mac

Supported protocols: ISO 14443A/B, ISO 15693, NFC Tag 1-4

### Interactive experience

Touch technology	HyPr Touch™ with Advanced IR
Touch features	Simultaneous tool differentiation Object Awareness™ Silktouch™
Typical touch response time	≤ 5 ms
Frame rate	≥ 200 Hz
Accuracy	1 mm
Minimum object size	2 mm
Multitouch capabilities	40 – Windows 32 – Android™ 20 – Mac 10 – Chrome OS™

Tools included	Pens (x2)
Tool holders	Magnetic   Frame-mounted

### Software

Included	iQ embedded Android OS SMART Notebook® SMART Product Drivers and SMART Ink® SMART Remote Management <sup>2</sup>
Optional	SMART Notebook Plus Lumio™

<sup>1</sup>Brightness of individual displays can vary.

<sup>2</sup>Subscription for the length of the included warranty

iQ embedded Android OS	
<b>Operating system</b>	Android version 13.0 (forward compatible)
<b>CPU</b>	Octa-core
<b>Memory</b>	8 GB DDR4
<b>OS architecture</b>	64-bit
<b>Storage</b>	64 GB (up to 576 GB)
<b>User interface</b>	4K UHD (3840 × 2160)
<b>Digital whiteboard</b>	✓
<b>Web browser</b>	✓
<b>Screen sharing</b>	✓
<b>Google Play™ Protect Certified<sup>3</sup></b>	✓
<b>Google Play Store</b>	✓
<b>Other features</b>	Personalized home screen and settings Input select Split screen Picture-in-picture (PIP) Interactive widgets Templates, graphic organizers, and manipulatives File and app libraries
<b>Ability to run third-party applications</b>	✓
<b>Cloud storage access</b>	✓
<b>NFC sign in to a SMART Account</b>	✓
<b>Device-based sign in to a SMART Account</b>	✓
<b>Languages supported</b>	Basque   Catalan/Valencian   Chinese (simplified)   Chinese (traditional)   Czech   Danish   Dutch   English   Estonian   Finnish   French   Galician   German   Greek   Hungarian   Italian   Japanese   Korean   Latvian   Lithuanian   Norwegian   Polish   Portuguese   Romanian   Russian   Slovak   Slovenian   Spanish   Swedish   Ukrainian   Vietnamese   Welsh
<b>Updates</b>	Automatic over-the-air (OTA)

<sup>3</sup>Pending final testing

PC computing	
<b>OPS support<sup>4</sup></b>	SMART PCM modules
<b>PC module power supported OPS</b>	85 W
<b>Optional computing module</b>	See > <a href="https://smarttech.com/accessories">smarttech.com/accessories</a>

Inputs	Front	Back
OPS PC accessory slot	–	1
microSD slot with security cover	–	1
HDMI® 2.1 4K @ 60Hz with HDCP 1.4, HDCP 2.3, ARC, and eARC support <sup>5</sup>	1	3
VGA video	–	1
Stereo 3.5 mm (variable)	–	1
RS-232 (DB-9 connector)	–	1
RJ45 (LAN IN)	–	1
USB Type-C 4K @ 60Hz Display Port 1.2, USB 2.0 (UFP) for touch and digital audio, USB 3.2 Gen 1 (DFP) for peripherals; 27 W power delivery	1	–
USB Type-C, 4K @ 60Hz, Display Port 1.2, USB 2.0 (UFP) for touch and digital audio, USB 3.2 Gen 1 (DFP) for peripherals; 65W power delivery	–	1
USB 2.0 Type-A	–	1
USB 3.2 Gen 1 Type-A	2	2
USB 3.2 Gen 1 Type-B	1	3

Outputs	Front	Back
HDMI 2.1 4K @ 60Hz with HDCP 2.3 support	–	1
USB Type-C 4K @ 60Hz Display Port 1.4a, HDCP 2.3 and HDCP 1.3, USB 3.2 Gen 1; 4.5 W power delivery	–	1
Stereo 3.5 mm (variable)	–	1
S/PDIF optical (fixed)	–	1
RJ45 (LAN OUT)	–	1

<sup>4</sup>The support and performance of third-party OPS (Open Pluggable Specification) and OPS-C modules may vary. Conduct proper compatibility testing to avoid potential issues.

<sup>5</sup>ARC and eARC support are available only with the HDMI 2 input.

Included cables and accessories	Qty
Country-specific power cable	1
16' 5" (5 m) USB 2.0 A to B cable	1
6' (1.8 m) USB 3.2 Gen 1 Type-C cable, 5A	1
Pens	2
External tri-band Wi-Fi (2.4, 5, and 6-7.2 GHz) and Bluetooth® (2.4 GHz) antennas	2
Remote control	1
AAA batteries	2
SMART ID cards (for NFC sign in to a SMART Account)	2
Illustrated installation instructions	1
Important information document	1

### Connectivity

<b>Wired</b>	RJ45 (x2) 1000BASE-T
<b>Wi-Fi</b>	IEEE 802.11ax (Wi-Fi 6e) supporting WPA, WPA2, WPA3 PSK, and 802.1X EAP authentication protocols
<b>Bluetooth</b>	5.2 dual mode

### Storage and operating requirements

<b>Power requirements</b>	100V to 240V AC, 50 Hz to 60 Hz
<b>Operating temperature</b>	41–95°F (5–35°C)
<b>Storage temperature</b>	-4–140°F (-20–60°C)
<b>Humidity</b>	5–80% relative humidity, non-condensing

### Power consumption

<b>Typical</b>	55": 72 W 65": 90 W 75": 103 W 86": 149 W
<b>Standby</b>	0.2 W

### Certification and compliance<sup>6</sup>

<b>Regulatory models</b>	IDX55-5   IDX65-5   IDX75-5   IDX86-5
<b>US / Canada</b>	UL   FCC   ISED   TSCA   CONEG Packaging   Proposition 65

<sup>6</sup>Product availability may vary by region.

This product has received additional certifications not listed here.

**EU / EEA / EFTA / UK** CE | UKCA | LVD | CB | EMC | RED | REACH | RoHS | Battery | WEEE | Packaging | POP | Ecodesign

**Australia / New Zealand** RCM | RSM

**Performance standards** ENERGY STAR® | HDMI | HDCP

### Purchasing information<sup>7</sup>

#### Order numbers

**MX255-V5** SMART Board® MX055-V5 interactive display with iQ

**MX265-V5** SMART Board MX065-V5 interactive display with iQ

**MX275-V5** SMART Board MX075-V5 interactive display with iQ

**MX286-V5** SMART Board MX086-V5 interactive display with iQ

### Optional accessories

**WM-SBID-200** SMART Wall Mount for SMART MX series interactive displays

**SWC-120UHD** SMART Ultra HD Camera 120

**Other accessories** See > [smarttech.com/accessories](https://smarttech.com/accessories)

### SMART Warranty

Terms and conditions and warranty upgrade options vary by region. Visit [smarttech.com/warranty](https://smarttech.com/warranty) or contact your reseller for information.

### Cable requirements

See > [SMART cables and connectors guide \(docs.smarttech.com/kb/171926\)](https://docs.smarttech.com/kb/171926)

<sup>7</sup>Order numbers may vary by region.

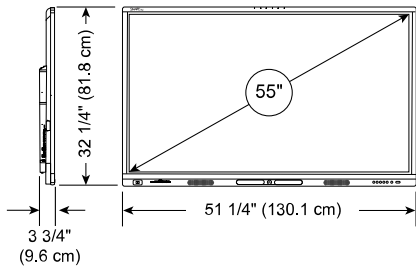
**Installation, dimensions, and weights**

**Notes**

- All dimensions  $\pm 1/8"$  (0.3 cm). All weights  $\pm 2$  lb. (0.9 kg). All dimensions and weight values are preliminary and subject to change.
- Product ships upright.
- Leave space around the display to ensure adequate ventilation.

**55" models**

**Dimensions**



**Weight**

71 lb. (32 kg)

**Shipping dimensions (including pallet)**

56 1/8"  $\times$  43 3/4"  $\times$  6 1/4"  
(142.5 cm  $\times$  111 cm  $\times$  16 cm)

**Shipping weight**

103 lb. (47 kg)

**VESA mount**

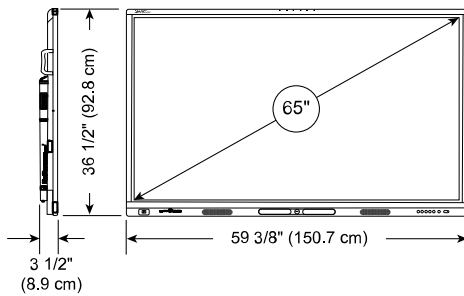
M8 | 400  $\times$  400 mm

**Handles**

–

**65" models**

**Dimensions**



**Weight**

89 lb. (40 kg)

**Shipping dimensions (including pallet)**

63 3/4"  $\times$  45 7/8"  $\times$  6 1/4"  
(162 cm  $\times$  116.5 cm  $\times$  16 cm)

**Shipping weight**

124 lb. (56 kg)

**VESA mount**

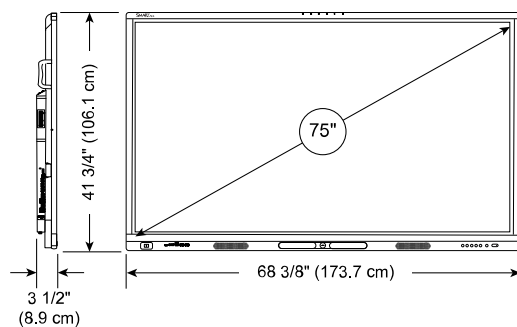
M8 | 600  $\times$  400 mm

**Handles**

2

**75" models**

**Dimensions**



**Weight**

119 lb. (54 kg)

**Shipping dimensions (including pallet)**

71 5/8"  $\times$  50 5/8"  $\times$  6 1/4"  
(182 cm  $\times$  128.5 cm  $\times$  16 cm)

**Shipping weight**

159 lb. (72 kg)

**VESA mount**

M8 | 800  $\times$  400 mm

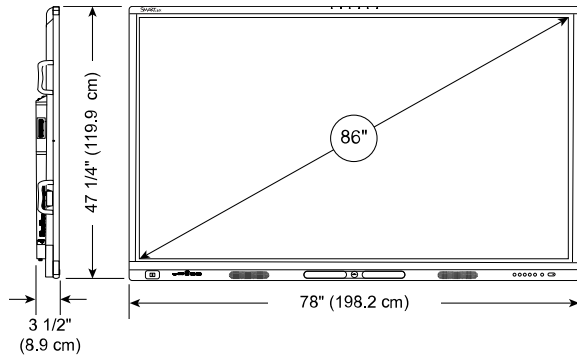
**Handles**

2

## Installation, dimensions, and weights (continued)

### 86" models

#### Dimensions



#### Weight

150 lb. (68 kg)

#### Shipping dimensions (including pallet)

85 1/4" × 56 7/8" × 6 1/4"  
(216.5 cm × 144.5 cm × 16 cm)

#### Shipping weight

207 lb. (94 kg)

#### VESA mount

M8 | 800 × 400 mm

#### Handles

4

**INTEGRATE AV**  
Audio Visual Design, Integration & Implementation  
**1800 742 748**

**INTEGRATE AV**  
Unit 1  
3 Gibbs St  
Chatswood, NSW 2067

**t. 1800 742 748**  
[sales@iav.com.au](mailto:sales@iav.com.au)  
[www.iav.com.au](http://www.iav.com.au)