

# SMART Board® GX series

SBID-GX165  
 SBID-GX175  
 SBID-GX186



DISPLAY	
Screen sizes (diagonal)	65", 75", 86"
Backlight	LED
Aspect ratio	16:9
Maximum display resolution	4K UHD (3840 × 2160)
Refresh rate	60 Hz
Lifespan	≥ 50,000 hours
Brightness (maximum)	≥400 cd/m <sup>2</sup>
Response time	≤ 8 ms
Viewing angle	178°
Glass	Fully heat-tempered, anti-glare
Glass thickness	4 mm
Frame color	Black
Convenience buttons	Power, home, volume, settings / freeze frame, back
Sensors	Ambient light, infrared
Audio	2 integrated 15 W speakers

INTERACTIVE EXPERIENCE	
Touch technology	Advanced infrared
Touch features	Object Awareness™ <sup>1</sup> Simultaneous Tool Differentiation™ <sup>2</sup> Silktouch™
Typical response time	≤ 10 ms
Frame rate	≥ 110 Hz
Accuracy	±1 mm (over 90% area)
Minimum object size	2.0 mm
Multitouch capabilities	20 – Windows® and Mac 10 – Chrome OS™
Tools included	Pens (×2)
Tool holders	Magnetic, frame-mounted

SOFTWARE	
SMART Notebook® basic	Included
SMART Ink® and SMART Product Drivers	Included
SMART Remote Management	Optional
SMART Learning Suite	Optional

© 2021 SMART Technologies ULC. All rights reserved. SMART Board, SMART Notebook, SMART Ink, Simultaneous Tool Differentiation, Object Awareness, Silktouch, smarttech, the SMART logo and all SMART taglines are trademarks or registered trademarks of SMART Technologies ULC in the U.S. and/or other countries. The Bluetooth word mark is owned by the Bluetooth SIG, Inc. and any use of such marks by SMART Technologies ULC is under license. The Adopted Trademarks HDMI, HDMI High-Definition Multimedia Interface, and the HDMI Logo are trademarks or registered trademarks of HDMI Licensing Administrator, Inc. in the United States and other countries. All other third-party product and company names may be trademarks of their respective owners. This product and/or use thereof is covered by one or more of the following U.S. patents: [www.smarttech.com/patents](http://www.smarttech.com/patents). Contents are subject to change without notice. March 23, 2021.

<sup>1</sup>When connected to a computer with SMART Product Drivers  
<sup>2</sup>A connected computer with SMART Product Drivers is required. Only supported in SMART Notebook and SMART Ink.

**BUILT-IN ANDROID™ EXPERIENCE**

<b>Operating system</b>	Android version 8.0
<b>Memory</b>	3 GB DDR
<b>Storage</b>	32 GB
<b>Digital whiteboard</b>	✓
<b>Web browser</b>	✓
<b>Screen sharing</b>	✓
<b>Other features</b>	Input select File manager Overlay Interactive widgets App library
<b>WPS Office</b>	✓
<b>Ability to run third-party applications</b>	✓
<b>Cloud storage access</b>	✓
<b>Languages supported</b>	Arabic, Chinese (Simplified), Chinese (Traditional), Czech, Danish, Dutch, English, Finnish, French, German, Greek, Italian, Japanese, Korean, Lithuanian, Norwegian, Polish, Portuguese, Romanian, Russian, Spanish, Swedish, Turkish
<b>Updates</b>	Over-the-air (OTA)

**PC COMPUTING**

<b>OPS support</b>	✓
<b>OPS-C support</b>	✓
<b>PC module power supported OPS</b>	60 W
<b>Optional computing modules</b>	SMART OPS PC with Windows 10 Pro SMART Chromebox

**INPUTS**

	Front	Back
OPS PC accessory slot (60 W devices)	–	1
HDMI® 2.0 with HDCP 1.4 and HDCP 2.2 support	1	2
Display Port 1.2	–	1
VGA video	–	1
YPbPr video 3.5 mm	–	1
AV 3.5 mm (composite video)	–	1
Stereo 3.5 mm	–	1
RS-232 room control (DB-9 connector)	–	1
RJ45 Ethernet (passthrough)	–	2
USB Type-C 4K @ 60Hz Display Port alternate mode, touch, and digital audio; 15 W power delivery	1	–
USB 2.0 Type-A	1	2
USB 2.0 Type-B	1	1
USB 3.0 Type-A	1	–

**OUTPUTS**

	Front	Back
HDMI 2.0 with HDCP 2.2 support	–	1
AV 3.5 mm (composite video)	–	1
Audio S/PDIF	–	1
Stereo 3.5 mm	–	1

**INCLUDED CABLES AND ACCESSORIES**

	Qty
Country-specific power cable	1
16' 5" (5 m) USB A/B cable	1
Pens	2
External dual-band 2.4 and 5 GHz antennas ( 2 Wi-Fi, 1 access point)	3
Remote control	1
AAA batteries	2
Illustrated installation instructions	1
Important information document	1

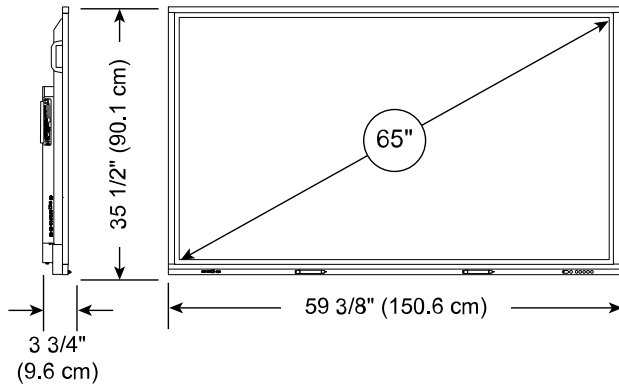
**INSTALLATION, DIMENSIONS, AND WEIGHTS**

**NOTES**

- All dimensions  $\pm 1/8"$  (0.3 cm). All weights  $\pm 2$  lb. (0.9 kg).
- Product ships upright.

**SBID-GX165**

**Dimensions**



**Weight**

92 lb. (42 kg)

**Shipping dimensions (including pallet)**

66 3/8"  $\times$  45 5/8"  $\times$  9 1/4"  
(168.5 cm  $\times$  115.9 cm  $\times$  23.5 cm)

**Shipping weight**

139 lb. (63 kg)

**VESA mount**

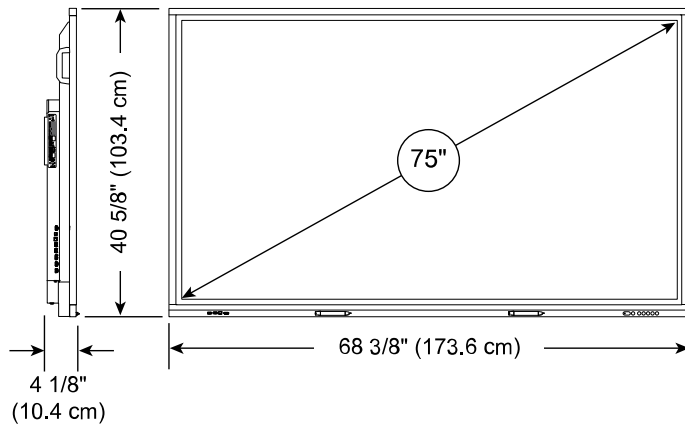
M8, 600  $\times$  400 mm

**Handles**

2

**SBID-GX175**

**Dimensions**



**Weight**

127 lb. (58 kg)

**Shipping dimensions (including pallet)**

75 1/4"  $\times$  50 1/8"  $\times$  10 1/4"  
(191 cm  $\times$  127.4 cm  $\times$  26 cm)

**Shipping weight**

181 lb. (82 kg)

**VESA mount**

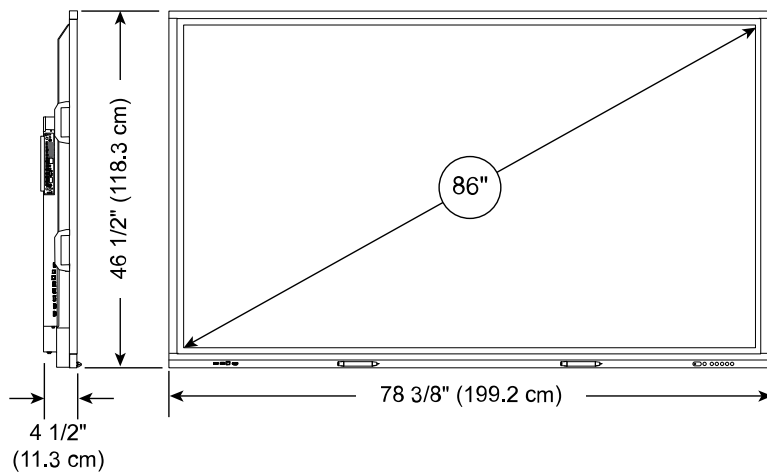
M8, 600  $\times$  400 mm

**Handles**

2

**SBID-GX186**

**Dimensions**



**Weight**

169 lb. (77 kg)

**Shipping dimensions (including pallet)**

85 1/4"  $\times$  57 1/4"  $\times$  11 5/8"  
(216.5 cm  $\times$  145.4 cm  $\times$  29.5 cm)

**Shipping weight**

236 lb. (107 kg)

**VESA mount**

M8, 700  $\times$  400 mm

**Handles**

4

## CONNECTIVITY

<b>Wired</b>	RJ45 (×2) 100baseT
<b>Wi-Fi</b>	IEEE 802.11 a/b/g/n/ac with 2 × 2 MIMO (both 2.4 and 5 GHz bands) supporting WEP, WPA, WPA2 PSK, and 802.1X EAP authentication protocols Wi-Fi access point
<b>Bluetooth</b>	4.2 dual mode

## STORAGE AND OPERATING REQUIREMENTS

<b>Power requirements</b>	100V to 240V AC, 50 Hz to 60 Hz
<b>Operating temperature</b>	32–104°F (0–40°C)
<b>Storage temperature</b>	14–140°F (-10–60°C)
<b>Humidity</b>	20–80% relative humidity, non-condensing

## POWER CONSUMPTION

<b>Typical</b>	65": 117 W
	75": 157 W
	86": 175 W
<b>Standby</b>	< 0.5 W
<b>Off</b>	0 W

## CERTIFICATION AND COMPLIANCE<sup>3</sup>

<b>US / Canada</b>	UL, FCC, ISED, CONEG Packaging, Proposition 65
<b>EU / EEA / EFTA / UK</b>	CE, UKCA, LVD, CB, EMCD, RED, REACH, RoHS, Battery, WEEE, Packaging, POP, Ecodesign
<b>Australia / New Zealand</b>	RCM
<b>Performance standards</b>	ENERGY STAR®, HDMI, USB

## PURCHASING INFORMATION

<b>Order number: SBID-GX165</b>	SMART Board GX065 interactive display with embedded OS and education software
<b>Order number: SBID-GX175</b>	SMART Board GX075 interactive display with embedded OS and education software
<b>Order number: SBID-GX186</b>	SMART Board GX086 interactive display with embedded OS and education software
<b>Optional accessories</b>	See <a href="http://smarttech.com/accessories">smarttech.com/accessories</a>

## WARRANTY

<b>SMART limited equipment warranty</b>	Includes advanced hardware replacement and access to onsite support. Terms and conditions vary by region. Contact your local reseller or distributor for information and visit <a href="http://smarttech.com/warranty">smarttech.com/warranty</a> .
---	---

## CABLE REQUIREMENTS

<b>HDMI</b>	Certified premium high speed HDMI (18 Gbps) Maximum length: 23' (7 m)
<b>USB 2.0</b>	USB 2.0 certified Hi-Speed (480 Mbps) support Maximum length: 16' (5 m)
<b>USB 3.0</b>	USB 3.0 certified SuperSpeed (5 Gbps) support Maximum length: 9' (3 m)
<b>USB Type-C</b>	USB 3.1 certified SuperSpeed (5 Gbps) support Maximum length: 6' (2 m)
<b>More information</b>	See <a href="http://smarttech.com/kb/171744">smarttech.com/kb/171744</a>

<sup>3</sup>Product availability may vary by region.

This product has received additional certifications not listed here.