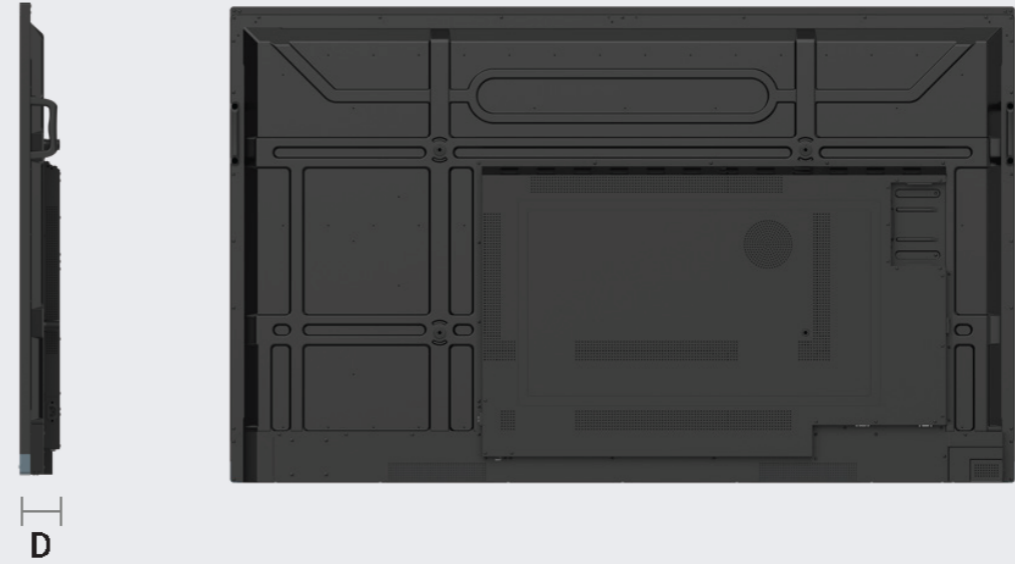


# BenQ Board Essential Series | RE04

65" | 75" | 86"

**INTEGRATE AV**  
Unified Communications & Collaboration Technologies

**1800 742 748**

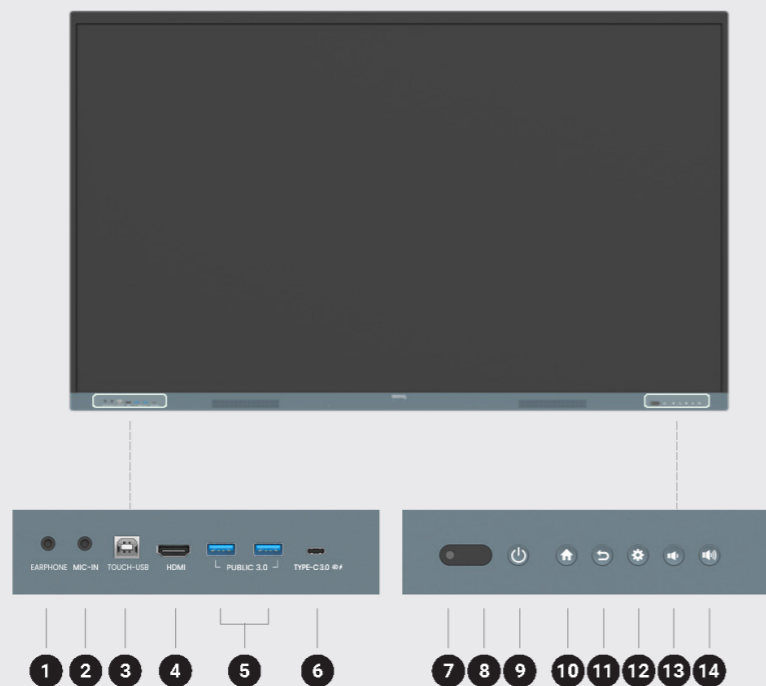


## Dimensions (W×H×D)

RE6504 | 1482.1 × 907 × 87.7 mm (58.4 × 35.7 × 3.5 in)

RE7504 | 1716.5 × 1041.6 × 87.7mm (67.6 × 41.0 × 3.5 in)

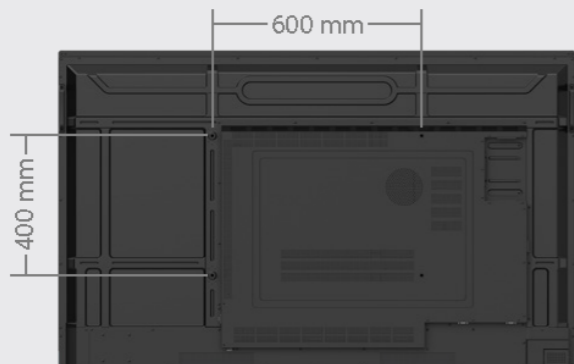
RE8604 | 1961.8 × 1179.7 × 87.7mm (77.2 × 46.4 × 3.5 in)



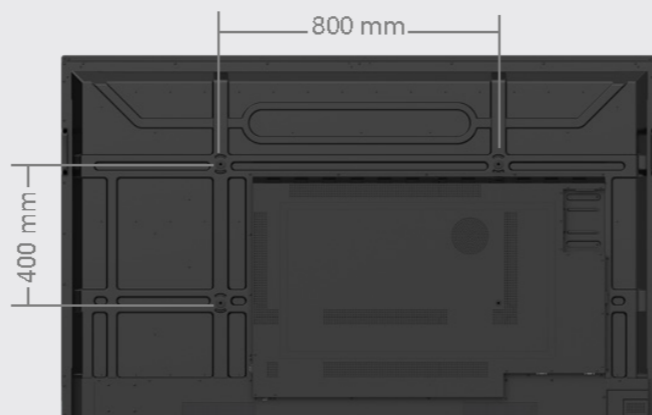
- |                   |                         |                 |
|-------------------|-------------------------|-----------------|
| 1. Earphone jack  | 6. USB 3.0 Type-C       | 11. Back        |
| 2. Microphone in  | 7. Ambient light sensor | 12. Menu        |
| 3. Touch USB      | 8. IR sensor            | 13. Volume down |
| 4. HDMI in        | 9. Power                | 14. Volume up   |
| 5. USB 3.0 Type-A | 10. Home                |                 |



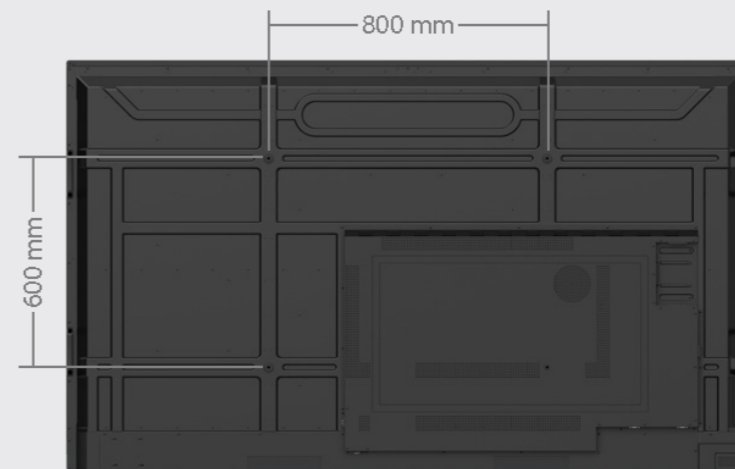
- |                    |                    |                    |
|--------------------|--------------------|--------------------|
| 15. RS-232         | 20. DisplayPort in | 25. USB 2.0 Type A |
| 16. S/PDIF         | 21. HDMI in        | 26. SD card slot   |
| 17. Ethernet       | 22. Touch USB      | 27. OPS slot       |
| 18. Audio in (VGA) | 23. HDMI out       | 28. USB 2.0 Type-A |
| 19. VGA            | 24. USB 2.0 Type-C |                    |



**RE6504**



**RE7504**



**RE8604**

Size	VESA specification	Screw type	Quantity
65"	600 × 400 mm	M8 × 25L	4
75"	800 × 400 mm	M8 × 25L	4
86"	800 × 600 mm	M8 × 25L	4

<b>Models</b>	<b>RE6504</b>	<b>RE7504</b>	<b>RE8604</b>
<b>Panel</b>			
Screen size	65"	75"	86"
Panel type	IPS	IPS	IPS
Resolution	UHD 3840 × 2160 pixels	UHD 3840 × 2160 pixels	UHD 3840 × 2160 pixels
Active area	1428.5 × 803.5 mm	1649.7 × 927.9 mm	1895.0 × 1096.0 mm
Response time	8 ms	8 ms	8 ms
Aspect ratio	16:9	16:9	16:9
Orientation	Landscape	Landscape	Landscape
Contrast ratio (typical)	1200:1	1200:1	1200:1
Dynamic contrast ratio	30,000:1	30,000:1	30,000:1
Color depth	10-bit	10-bit	10-bit
Color gamut	72% NTSC	72% NTSC	68% NTSC
Panel brightness without glass (typical)	450 nits	450 nits	450 nits
Panel brightness with glass (typical)	400 nits	400 nits	400 nits
Backlight life (typical)	50,000 hrs	50,000 hrs	50,000 hrs
<b>Glass</b>			
Hardness	9H tempered	9H tempered	9H tempered
Anti-glare	Yes	Yes	Yes
Germ-resistant technology	Availability dependent on region	Availability dependent on region	Availability dependent on region
<b>Touch screen</b>			
Touch technology	Precision IR	Precision IR	Precision IR
Touch points	up to 40	up to 40	up to 40
Touch response time	< 5 ms	< 5 ms	< 5 ms
<b>System</b>			
CPU	Arm Cortex-A73 × 4 + A53 × 4	Arm Cortex-A73 × 4 + A53 × 4	Arm Cortex-A73 × 4 + A53 × 4
GPU	Arm Mali-G52 MP8	Arm Mali-G52 MP8	Arm Mali-G52 MP8
Memory   Storage	8GB   32GB	8GB   32GB	8GB   32GB
Operating system	Android 13 (EDLA)	Android 13 (EDLA)	Android 13 (EDLA)

<b>Models</b>	<b>RE6504</b>	<b>RE7504</b>	<b>RE8604</b>
<b>Connectivity</b>			
USB-C	1 × 3.0 (PD 65 W), 1 × 2.0	1 × 3.0 (PD 65 W), 1 × 2.0	1 × 3.0 (PD 65 W), 1 × 2.0
USB Type-B (for touch)	2 × 2.0	2 × 2.0	2 × 2.0
USB Type-A	2 × 2.0 + 2 × 3.0	2 × 2.0 + 2 × 3.0	2 × 2.0 + 2 × 3.0
HDMI (in   out)	3 × HDMI 2.0   1 × HDMI 2.0	3 × HDMI 2.0   1 × HDMI 2.0	3 × HDMI 2.0   1 × HDMI 2.0
DisplayPort	1 × 1.2	1 × 1.2	1 × 1.2
VGA in	1	1	1
Audio in	1 × 3.5 mm microphone jack 1 × 3.5 mm audio jack (VGA)	1 × 3.5 mm microphone jack 1 × 3.5 mm audio jack (VGA)	1 × 3.5 mm microphone jack 1 × 3.5 mm audio jack (VGA)
Audio out	1 × 3.5 mm earphone jack	1 × 3.5 mm earphone jack	1 × 3.5 mm earphone jack
S/PDIF out	1 (optical)	1 (optical)	1 (optical)
RS-232	1	1	1
OPS slot (for slot-in PC)	1	1	1
Ethernet	Gigabit Ethernet (10M/100M/1000M)	Gigabit Ethernet (10M/100M/1000M)	Gigabit Ethernet (10M/100M/1000M)
Wi-Fi	Availability dependent on region	Availability dependent on region	Availability dependent on region
Bluetooth®	Availability dependent on region	Availability dependent on region	Availability dependent on region
<b>Built-in peripherals</b>			
Ambient light sensor	Yes	Yes	Yes
IR sensor	Yes	Yes	Yes
Speaker	2 × 20 W (max)	2 × 20 W (max)	2 × 20 W (max)
<b>Power</b>			
ENERGY STAR®	Yes	Yes	Yes
Power	AC 100-240V 50/60Hz	AC 100-240V 50/60Hz	AC 100-240V 50/60Hz
Standby power consumption	< 0.5 W	< 0.5 W	< 0.5 W
Typical power consumption	66.7 W	73.9 W	106.8 W

Models	RE6504	RE7504	RE8604
<b>Physical</b>			
Dimensions (W x H x D)	1482.1 × 907 × 87.7 mm (58.4 × 35.7 × 3.5 in)	1716.5 × 1041.6 × 87.7mm (67.6 × 41.0 × 3.5 in)	1961.8 × 1179.7 × 87.7mm (77.2 × 46.4 × 3.5 in)
Shipping dimensions (W x H x D)	1640.0 × 1010.0 × 185.0 mm (64.6 × 39.8 × 7.3 in)	1860.0 × 1125.0 × 185.0 mm (73.2 × 44.3 × 7.3 in)	2095 × 185 × 1265 mm (82.5 × 7.3 × 49.8 in)
Weight (product   shipping)	36.4 kg   49.4 kg (80.2 lbs   108.9 lbs)	50.2 kg   64.9 kg (110.7 lbs   143.1 lbs)	63.4 kg   80.2 kg (139.8 lbs   176.8 lbs)
Mount (screws)	VESA 600 × 400 mm ( 4 × M8 × 25L)	VESA 800 × 400 mm ( 4 × M8 × 25L)	VESA 800 × 600 mm ( 4 × M8 × 25L)
<b>Environment</b>			
Operating temperature	0°C ~ 40°C   32°F ~ 104°F	0°C ~ 40°C   32°F ~ 104°F	0°C ~ 40°C   32°F ~ 104°F
Storage temperature	-10°C ~ 60°C   14°F ~ 140°F	-10°C ~ 60°C   14°F ~ 140°F	-10°C ~ 60°C   14°F ~ 140°F
Storage humidity	10% ~ 80% RH non-condensing	10% ~ 80% RH non-condensing	10% ~ 80% RH non-condensing
Operating humidity	20% ~ 80% RH non-condensing	20% ~ 80% RH non-condensing	20% ~ 80% RH non-condensing
<b>Software</b>			
Whiteboarding	EZWrite 6.0	EZWrite 6.0	EZWrite 6.0
Wireless screen sharing	InstaShare 2	InstaShare 2	InstaShare 2
Account management	AMS	AMS	AMS
Device management	DMS	DMS	DMS
Quick access tool	Floating Tool	Floating Tool	Floating Tool
Broadcast system	X-Sign Broadcast	X-Sign Broadcast	X-Sign Broadcast
<b>Accessories</b>			
Cables	1 × VGA (1.5 m   4.9 ft), 1 × HDMI (1.5 m   4.9 ft), 1 × USB-B for touch (3 m   9.8 ft)	1 × VGA (1.5 m   4.9 ft), 1 × HDMI (1.5 m   4.9 ft), 1 × USB-B for touch (3 m   9.8 ft)	1 × VGA (1.5 m   4.9 ft), 1 × HDMI (1.5 m   4.9 ft), 1 × USB-B for touch (3 m   9.8 ft)
Wall mount	1	1	1
Pen	2	2	2
Remote control	1	1	1